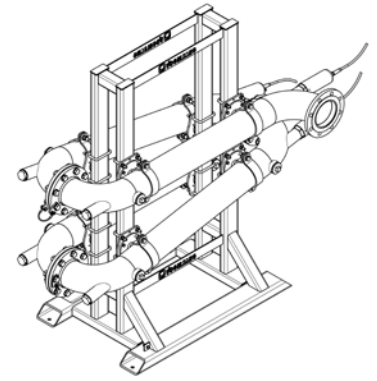


BioCrack[®] II

The electrokinetic BioCrack[®] II disintegration process
for reduced costs



Type	Power requirement per module	Max. throughput	Max. pressure	Max. module length	Min. module width (U module)	Min. module width (S module)	Electrical supply voltage		Electrode head voltage
							V	Hz	
XS-Line	35	50	5	1,940	300	492	220	50	50 – 100
L-Line	35	120	5	1,973	325.5	492	220	50	50 – 100
XL-Line	35	200	5	2,070	445	670	220	50	50 – 100

* Throughput depending on DS content.