



SPECIFICATION



THE ROBUST WASTEWATER GRINDER

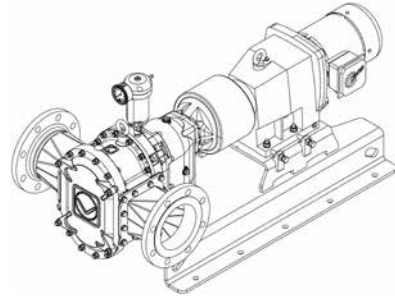
XRipper[®] with monolithic Ripper rotors
for maximum efficiency

VOGELSANG
ENGINEERED TO WORK



XRipper® XRS

The versatile and easy to maintain series



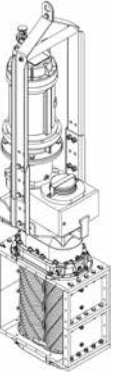
Type	Blade widths	Drive power	Drive speed	Max. throughput*	Max. pressure	Flange connector
	mm	kW	min ⁻¹	m ³ /h	bar	mm
100-90Q	6/8	1.5	53	50	8	Ø 100
136-140Q	6/10	2.2	41	110	8	Ø 150
186-130Q	8/11	4.0	40	165	8	Ø 150
186-260Q	8/11	4.0	40	325	6	Ø 200

* Maximum theoretical throughput for water and a pressure loss of 0.25 bar.

We would be happy to configure the best grinder for your application with the help of our computer-assisted design software.

XRipper® XRC with SIK

The user-friendly version for open sewers and ducts



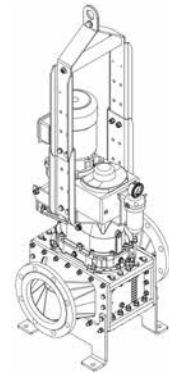
Type	Blade widths	Drive power	Drive speed	Max. throughput*	Inlet opening
	mm	kW	min ⁻¹	m ³ /h	W x L (mm)
100-320QD	6/8	2.2	50	140	219 x 320
100-480QD	6/8	2.2	50	222	219 x 480
100-640QD	6/8	2.2	50	310	219 x 640
100-800QD	6/8	2.2	50	480	219 x 800
100-960QD	6/8	2.2	50	690	219 x 960
136-280QD	6/10	3.0	44	115	365 x 280
136-560QD	6/10	3.0	44	360	365 x 560
186-260Q	8/11	4.0	34	170	500 x 260
186-260QD	8/11	4.0	34	170	500 x 260
186-520QD	8/11	4.0	34	520	500 x 520
186-780QD	8/11	4.0	34	795	500 x 780

* Maximum theoretical throughput for water and optimale sewer conditions.

We would be happy to configure the best grinder for your application with the help of our computer-assisted design software.

XRipper® XRP

The compact inline variant for pipe systems



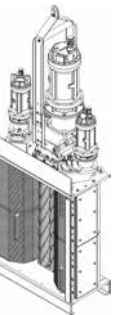
Type	Blade widths	Drive power	Drive speed	Max. throughput*	Max. pressure	Flange connector	Installation width Flange to flange
	mm	kW	min ⁻¹	m ³ /h	bar	mm	mm
100-90Q	6/8	1.5	57	85	8	Ø 100	406
136-140Q	6/10	2.2	46	165 190	8	Ø 100 Ø 150	406 483
136-200Q	6/10	2.2/4.0	46/45	265 280 300	6	Ø 100 Ø 150 Ø 200	488 540 590
186-260Q	8/11	4.0	38	490 550	4	Ø 250 Ø 300	692 794
186-520QD	8/11	4.0/5.5/7.5	38/36/41	980 1,060 1,140	4	Ø 300 Ø 400 Ø 450	895 1,099 1,200

* Maximum theoretical throughput for water and a pressure loss of 0.15 bar.

We would be happy to configure the best grinder for your application with the help of our computer-assisted design software.

XRipper® XRG

A giant for maximum flow rates



Type	Blade widths	Drive power	Drive speed	Drive power High Capacity Unit	Max. throughput*	Width
	mm	kW	min ⁻¹	kW	m ³ /h	mm
XRG136-560QD+HCS	6/10	4	38	1x0.25	852	758
XRG136-560QD+HCD	6/10	4	38	2x0.25	1,126	1,067
XRG136-840QD+HCS	6/10	4	38	1x0.25	1,243	758
XRG136-840QD+HCD	6/10	4	38	2x0.25	1,670	1,067
XRG136-1120QD+HCS	6/10	4	38	1x0.25	1,650	758
XRG136-1120QD+HCD	6/10	4	38	2x0.25	2,246	1,067
XRG136-1400QD+HCS	6/10	4	38	1x0.25	2,195	758
XRG136-1400QD+HCD	6/10	4	38	2x0.25	3,030	1,067

* Maximum theoretical throughput for water and optimale sewer conditions.

We would be happy to configure the best grinder for your application with the help of our computer-assisted design software.

What we offer

We provide solutions in the following sectors:
AGRICULTURAL TECHNOLOGY, BIOGAS,
INDUSTRY, TRANSPORTATION, WASTEWATER



Our broad range of products and services

- Consulting and service
- Data management and control technology
- Disintegration technology
- Individually tailored solutions for special applications
- Pumps and pump systems
- Solid matter feeders
- Solids reduction, separators and mixers
- Spreading technology
- Supply, disposal and cleaning

Copyright 2018 Vogelsang GmbH & Co. KG

Product availability, appearance, technical specifications and details are subject to continuous development. All information presented here is therefore subject to change. In selected countries, Vogelsang®, ACC®, BioCrack®, BioCut®, CC-Serie®, CFC®, EnergyJet®, HiFlo®, PreMix®, RotaCut®, XTill® and XRipper® are registered trademarks of Vogelsang GmbH & Co. KG, Essen/Oldb., Germany. All rights reserved, including the rights to all graphics and images.

The robust wastewater grinder_TD_EN_12207718_1000_MET0579 – Printed in Germany

Vogelsang GmbH & Co. KG
Holthoeye 10–14 | 49632 Essen/Oldb. | Germany
Phone: +49 5434 83-0 | Fax: +49 5434 83-10
germany@vogelsang.info

vogelsang.info