

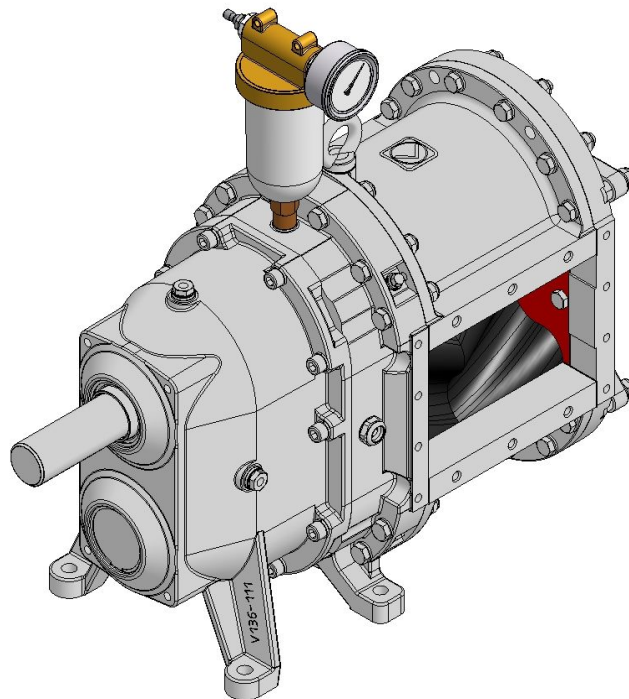


Spare Parts List

Rotary Lobe Pump

VX136Q

ENGINEERED TO WORK



Issuer

Vogelsang GmbH & Co. KG
Holthöge 10-14
49632 Essen/Oldb.

Phone: +49 54 34 83 0
Fax: +49 54 34 83 10

www.vogelsang.info
info@vogelsang.info

In the absence of express, written authorisation from the issuer, the reproduction or partial reproduction of this document in any form is prohibited.

We reserve the right to make technical modifications to the diagrams and information presented in this document in the event that such modifications become necessary for the enhancement of the machine.

© 2018 Vogelsang GmbH & Co. KG

Registered trademarks of Vogelsang

In selected countries, Vogelsang[®], RotaCut[®], HiFlo[®], ACC[®], CFC[®], BioCrack[®], XTill[®], EnergyJet[®], BioCut[®], CC-Serie[®], PreMix[®], ProTerra[®], VarioCrop[®] and XRipper[®] are registered trademarks of Vogelsang GmbH & Co. KG, Essen/Oldb., Germany.

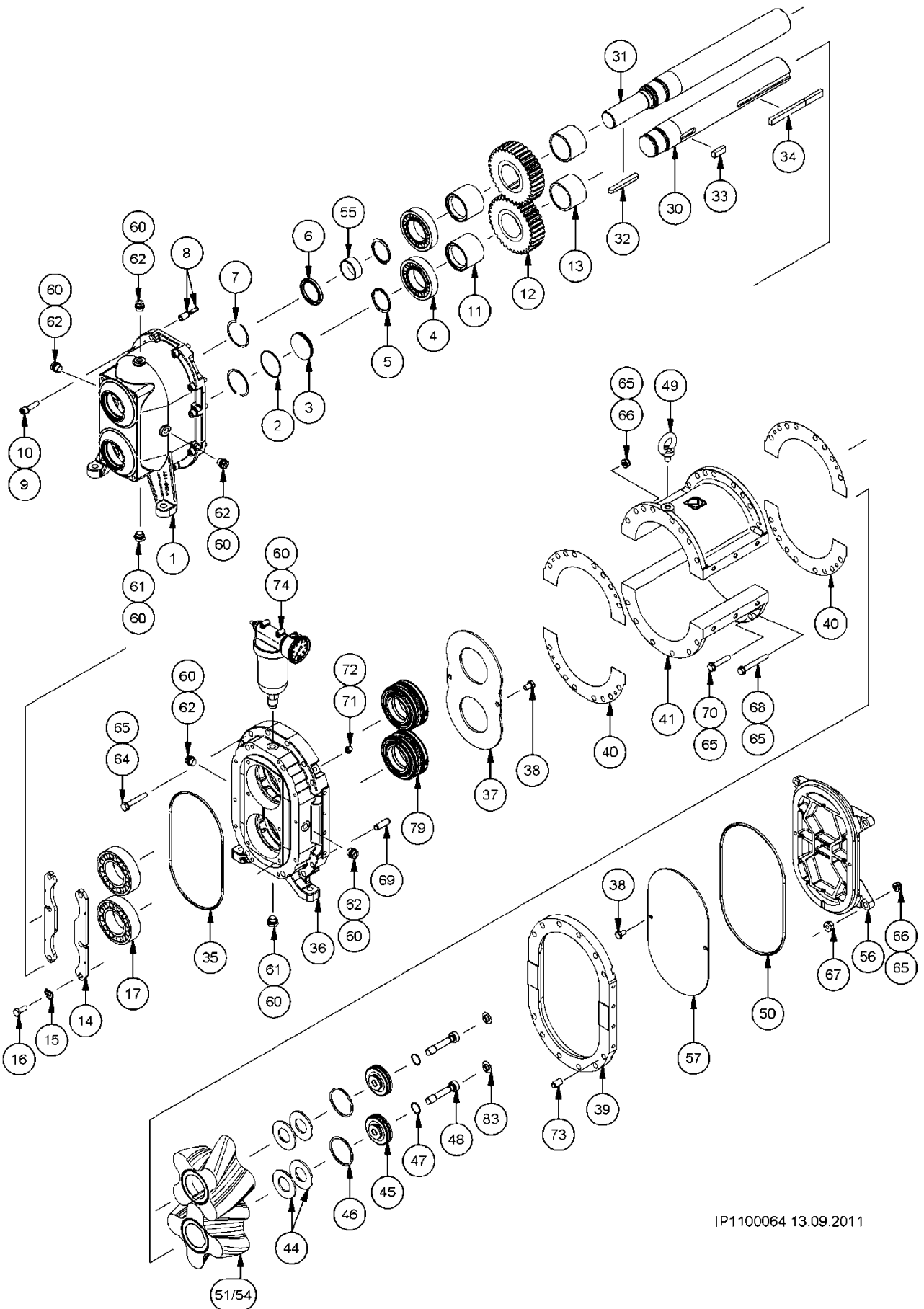
All rights reserved, including graphics and images.

The registered trademarks are not always designated with an [®] symbol in this document.

Contents

Exploded view	4
Gearbox housing and accessories	5
Position 1-17	5
Motor shaft.....	5
Position 30-32	5
PTO shaft.....	6
Position 30/ 31	6
Fitting key	6
Position 32-34	6
Bearing seal housing + accessories	6
Position 35-36	6
Wear plate	6
Position 37-38	6
Cover flange	6
Position 39	6
Gasket for pump housing segment	6
Position 40	6
Pump housing segment.....	7
Position 41	7
Injection module pump housing segment without radial wear plate.....	8
Position 41	8
Injection module pump housing segment with radial wear plate	9
Position 41	9
Hexagon nut	10
Position 42	10
Preload	10
Position 44-48	10
Lifting eye bolt.....	10
Position 49	10
O-ring	11
Position 50	11
Rotary lobes	11
HiFlo	11
Position 51+54	11
Rotary lobes; bi-lobe.....	14
Position 51	14
Solid material lobe	15
HiFlo	15
Position 51+54	15
O-ring for solid material rotary lobes	15
Position 52-53	15
Cover and accessories	16
Position 55-57	16
Bolts and accessories	16
Position 59-73	16
Buffer chamber enlargement	16
Position 74	16
Cartridge mechanical seal.....	17
Pos. 79.....	17
"Loose parts" for Cartridge mechanical seal	18
Accessories.....	18
Position 83	18
Option: Intermediate flange.....	19
Position 75-78	19
Option: Radial labyrinth.....	20
Position 94-99	20
Option: Component mechanical seal	22
Pos. 200-213.....	22
Operating material	23
Tools.....	23
Material for connectors.....	23
Required spare parts for rotary lobe change.....	24
Necessary spare parts for Cartridge mechanical seal change	25
Necessary spare parts for wear part replacement with Cartridge mechanical seal	26
Necessary spare parts for component mechanical seal change	28
Necessary spare parts for wear part replacement with component mechanical seal	29

Exploded view



IP1100064 13.09.2011

Gearbox housing and accessories

Position 1-17

Pos.	Part number	Description	Dimensions	Notes	Qty.	70	105	140	210
1	PGP.B111.T1	Gearbox housing				1	1	1	1
	PGP.B111.T3	Gearbox housing		For hydraulic motor					
2	DOR.086	O-ring	59 x 3	NBR; for motor shaft		1	1	1	1
	DOR.086.VI	O-ring	59 x 3	FPM; for motor shaft					
3	PRS.B108	Plug disk for gearbox housing		For motor shaft		1	1	1	1
4	NLG.029	Cylindrical roller bearing	ø55 x ø100			2	2	2	2
5	NSR.010	Retaining ring	AS 55 x 3	DIN 471		2	2	2	2

For motor shaft

6	DWD.060.HNB	Radial shaft seal ring	50 x 65 x 7	HNBR		1	1	1	1
	DWD.058.VI	Radial shaft seal ring	50 x 65 x 7	FPM					

For PTO shaft

6	DWD.060.HNB	Radial shaft seal ring	50 x 65 x 7	HNBR		2	2	2	2
	DWD.058.VI	Radial shaft seal ring	50 x 65 x 7	FPM					
7	NSR.034	Multi-disc ring	65 x 3.8 x 0.82			2	2	2	2
8	NSP.023	Spring pin	13 x 22	ISO 8752		4	4	4	4
	NSP.025	Spring pin	8 x 24	ISO 8752					
9	NFR.003	Lock washer	ø10	DIN 127		14	10	10	10
10	NSI.001	Cylinder head bolt	M10 x 40	DIN 912		10	10	10	10
11	PRS.B006	Spacer sleeve		Floating bearing		2	2	2	2
12	PZH.003	Gear				2	2	2	2
13	PRS.B005	Distance sleeve		Fixed bearing		2	2	2	2
14	PFL.B010	Fixing sheet for bearing				2	2	2	2
15	NUS.066	Locking washer	10.5 mm	DIN 432		6	6	6	6
16	NSK.027	Hexagon head bolt	M10 x 25	DIN 933		6	6	6	6
17	NLG.026	Spherical roller bearing	22212 E1			2	2	2	2
	NLG.026.T1	Spherical roller bearing	22212 E	(Option)					

Motor shaft

Position 30-32

Pos.	Part number	Description	Dimensions	Notes	Qty.	70	105	140	210
30	PWQ.105.N1	Motor shaft	VX136-70-MK-Q	Short		1	-	-	-
	PWQ.106.N1	Motor shaft	VX136-105-MK-Q	Short		-	1	-	-
	PWQ.107.N1	Motor shaft	VX136-140-MK-Q	Short		-	-	1	-
	PWQ.108.N1	Motor shaft	VX136-210-MK-Q	Short		-	-	-	1
31	PWQ.101.N1	Motor shaft	VX136-70-ML-Q	Long		1	-	-	-
	PWQ.102.N1	Motor shaft	VX136-105-ML-Q	Long		-	1	-	-
	PWQ.103.N1	Motor shaft	VX136-140-ML-Q	Long		-	-	1	-
	PWQ.104.N1	Motor shaft	VX136-210-ML-Q	Long		-	-	-	1
	PWQ.105.N1.H	Hollow shaft ⁽⁷⁾	VX136-70-MH-Q			1	-	-	-
	PWQ.106.N1.H	Hollow shaft ⁽⁷⁾	VX136-105-MH-Q			-	1	-	-
	PWQ.107.N1.H	Hollow shaft ⁽⁷⁾	VX136-140-MH-Q			-	-	1	-
	PWQ.108.N1.H	Hollow shaft ⁽⁷⁾	VX136-210-MH-Q			-	-	-	1

⁽⁷⁾ for hydraulic motor

PTO shaft**Position 30/ 31**

Pos.	Part number	Description	Dimensions	Notes	Qty.	70	105	140	210
30/31	PWQ.109.N1	PTO shaft	VX136-70-S-Q			2	-	-	-
	PWQ.110.N1	PTO shaft	VX136-105-S-Q			-	2	-	-
	PWQ.111.N1	PTO shaft	VX136-140-S-Q			-	-	2	-
	PWQ.112.N1	PTO shaft	VX136-210-S-Q			-	-	-	2

Fitting key**Position 32-34**

Pos.	Part number	Description	Dimensions	Notes	Qty.	70	105	140	210
32	NPF.046	Fitting key	A 12 x 8 x 90	For motor shaft long		1	1	1	1
33	NPF.022	Fitting key	B 14 x 9 x 35	DIN 6885		2	2	2	2
34	NPF.010	Fitting key	B 14 x 9 x 28			2	-	-	-
	NPF.011	Fitting key	B 14 x 9 x 56			-	2	-	2
	NPF.012	Fitting key	B 14 x 9 x 110			-	-	-	2
	NPF.013	Fitting key	B 14 x 9 x 100			-	-	2	-

Bearing seal housing + accessories**Position 35-36**

Pos.	Part number	Description	Dimensions	Notes	Qty.	70	105	140	210
35	DOR.035	O-ring	245 x 5	NBR		1	1	1	1
	DOR.035.VI	O-ring	245 x 5	FPM					
36	PGP.B110.T1	Bearing seal housing				1	1	1	1
	PGP.B110.T2	Bearing seal housing		Option: intermediate flange/ radial labyrinth					

Wear plate**Position 37-38**

Pos.	Part number	Description	Dimensions	Notes	Qty.	70	105	140	210
37	PFL.B009	Wear plate				1	1	1	1
	PFL.B009.G1	Wear plate		Tungsten carbide coated					
38	NSK.025.EE	Hexagon head bolt	M10 x 16	DIN 933		4	4	4	4

Cover flange**Position 39**

Pos.	Part number	Description	Dimensions	Notes	Qty.	70	105	140	210
39	PGP.B004	Cover flange				1	1	1	1

Gasket for pump housing segment**Position 40**

Pos.	Part number	Description	Dimensions	Notes	Qty.	70	105	140	210
40	DAD.007	Gasket		Asbestos-free		4	4	4	4

Pump housing segment

Position 41

Pos.	Part number	Description	Dimensions	Notes	Qty.	70	105	140	210
------	-------------	-------------	------------	-------	------	----	-----	-----	-----



41	PGP.015	Pump housing segment	70	0.6025		2	-	-	-
	PGP.100	Pump housing segment	105	0.6025		-	2	-	-
	PGP.013	Pump housing segment	140	0.6025		-	-	2	-
	PGP.014	Pump housing segment	210	0.6025		-	-	-	2
	PGP.015.G1	Pump housing segment	70	0.6025 tungsten carbide coated		2	-	-	-
	PGP.100.G1	Pump housing segment	105	0.6025 tungsten carbide coated		-	2	-	-
	PGP.013.G1	Pump housing segment	140	0.6025 tungsten carbide coated		-	-	2	-
	PGP.014.G1	Pump housing segment	210	0.6025 tungsten carbide coated		-	-	-	2
	PGP.015.G2	Pump housing segment	70	EN-JS-1100 (ADI)		2	-	-	-
	PGP.100.G2	Pump housing segment	105	EN-JS-1100 (ADI)		-	2	-	-
	PGP.013.G2	Pump housing segment	140	EN-JS-1100 (ADI)		-	-	2	-
	PGP.014.G2	Pump housing segment	210	EN-JS-1100 (ADI)		-	-	-	2



Injection A

41	PGP0084	Pump housing segment	70	0.6025		2	-	-	-
	PGP0085	Pump housing segment	105	0.6025		-	2	-	-
	PGP0081	Pump housing segment	140	0.6025		-	-	2	-
	PGP0083	Pump housing segment	210	0.6025		-	-	-	2
	PGP0198	Pump housing segment	70	0.6025 tungsten carbide coated		2	-	-	-
	PGP0119	Pump housing segment	105	0.6025 tungsten carbide coated		-	2	-	-
	PGP0121	Pump housing segment	140	0.6025 tungsten carbide coated		-	-	2	-
	PGP0109	Pump housing segment	70	EN-JS-1110 (ADI)		2	-	-	-
	PGP0107	Pump housing segment	105	EN-JS-1110 (ADI)		-	2	-	-
	PGP0110	Pump housing segment	140	EN-JS-1110 (ADI)		-	-	2	-
	PGP0111	Pump housing segment	210	EN-JS-1110 (ADI)		-	-	-	2

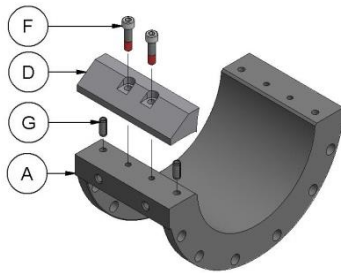


Injection S

41	PGP.B122	Pump housing segment	70	0.6025		2	-	-	-
	PGP.B123	Pump housing segment	105	0.6025		-	2	-	-
	PGP.B120	Pump housing segment	140	0.6025		-	-	2	-
	PGP.B121	Pump housing segment	210	0.6025		-	-	-	2
	PGP.B122.G1	Pump housing segment	70	0.6025 tungsten carbide coated		2	-	-	-
	PGP.B123.G1	Pump housing segment	105	0.6025 tungsten carbide coated		-	2	-	-
	PGP.B120.G1	Pump housing segment	140	0.6025 tungsten carbide coated		-	-	2	-
	PGP.B121.G1	Pump housing segment	210	0.6025 tungsten carbide coated		-	-	-	2
	PGP.B122.G2	Pump housing segment	70	EN-JS-1110 (ADI)		2	-	-	-
	PGP.B123.G2	Pump housing segment	105	EN-JS-1110 (ADI)		-	2	-	-
	PGP.B120.G2	Pump housing segment	140	EN-JS-1110 (ADI)		-	-	2	-
	PGP.B121.G2	Pump housing segment	210	EN-JS-1110 (ADI)		-	-	-	2

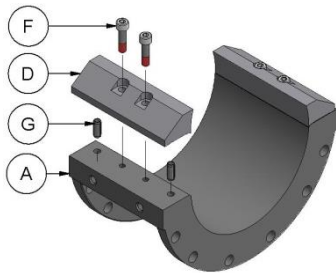
Injection module pump housing segment without radial wear plate

Position 41



Injection A

Pos.	Part number	Description	Dimensions	Notes	Qty.	70	105	140	210
A	PGP0302	Pump housing segment	70			2	-	-	-
	PGP0300	Pump housing segment	105			-	2	-	-
	PGP0298	Pump housing segment	140			-	-	2	-
	PGP0304	Pump housing segment	210			-	-	-	2
D	PGP1023	Injection Modul	70			2	-	-	-
	PGP1024	Injection Modul	105			-	2	-	-
	PGP1025	Injection Modul	140			-	-	2	-
	PGP1026	Injection Modul	210			-	-	-	2
F	NSI0207	Cylinder head bolt	M 8 x 30 mm	ISO 4762		4	4	4	4
G	NSP0019	Spring pin	8 mm x 20 mm	ISO 13337		4	4	4	4

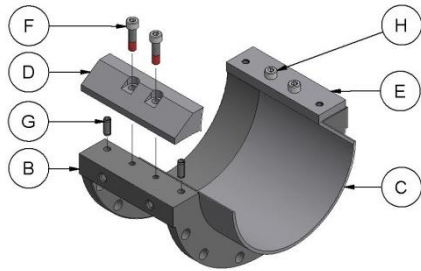


Injection S

Pos.	Part number	Description	Dimensions	Notes	Qty.	70	105	140	210
A	PGP0302	Pump housing segment	70			2	-	-	-
	PGP0300	Pump housing segment	105			-	2	-	-
	PGP0298	Pump housing segment	140			-	-	2	-
	PGP0304	Pump housing segment	210			-	-	-	2
D	PGP1023	Injection Modul	70			4	-	-	-
	PGP1024	Injection Modul	105			-	4	-	-
	PGP1025	Injection Modul	140			-	-	4	-
	PGP1026	Injection Modul	210			-	-	-	4
F	NSI0207	Cylinder head bolt	M 8 x 30 mm	ISO 4762		8	8	8	8
G	NSP0019	Spring pin	8 mm x 20 mm	ISO 13337		8	8	8	8

Injection module pump housing segment with radial wear plate

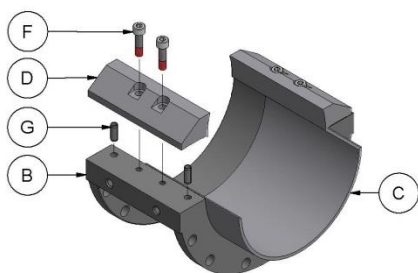
Position 41



Injection A

Pos.	Part number	Description	Dimensions	Notes	Qty.	70	105	140	210
B	PGP0303	Pump housing segment	70	Radial wear plate		2	-	-	-
	PGP0301	Pump housing segment	105	Radial wear plate		-	2	-	-
	PGP0299	Pump housing segment	140	Radial wear plate		-	-	2	-
	PGP0305	Pump housing segment	210	Radial wear plate		-	-	-	2
C	PFL0145	Wear plate	70	Radial		2	-	-	-
	PFL0147	Wear plate	105	Radial		-	2	-	-
	RFL3943	Wear plate	140	Radial		-	-	2	-
	PFL0148	Wear plate	210	Radial		-	-	-	2
D	PGP1023	Injection Modul	70			2	-	-	-
	PGP1024	Injection Modul	105			-	2	-	-
	PGP1025	Injection Modul	140			-	-	2	-
	PGP1026	Injection Modul	210			-	-	-	2
E	PGP0556	Module, straight	70			2	-	-	-
	PGP0557	Module, straight	105			-	2	-	-
	PGP0558	Module, straight	140			-	-	2	-
	PGP0559	Module, straight	210			-	-	-	2
F	NSI0207	Cylinder head bolt	M 8 x 30 mm	ISO 4762		4	4	4	4
G	NSP0019	Spring pin	8 mm x 20 mm	ISO 13337		8	8	8	8
H	NSI0206	Cylinder head bolt	M 8 x 20 mm	ISO 4762		4	4	4	4

Continuation see next page



Injection S

Pos.	Part number	Description	Dimensions	Notes	Qty.	70	105	140	210
B	PGP0303	Pump housing segment	70	Radial wear plate		2	-	-	-
	PGP0301	Pump housing segment	105	Radial wear plate		-	2	-	-
	PGP0299	Pump housing segment	140	Radial wear plate		-	-	2	-
	PGP0305	Pump housing segment	210	Radial wear plate		-	-	-	2
C	PFL0145	Wear plate	70	Radial		2	-	-	-
	PFL0147	Wear plate	105	Radial		-	2	-	-
	RFL3943	Wear plate	140	Radial		-	-	2	-
	PFL0148	Wear plate	210	Radial		-	-	-	2
D	PGP1023	Injection Modul	70			4	-	-	-
	PGP1024	Injection Modul	105			-	4	-	-
	PGP1025	Injection Modul	140			-	-	4	-
	PGP1026	Injection Modul	210			-	-	-	4
F	NSI0207	Cylinder head bolt	M 8 x 30 mm	ISO 4762		8	8	8	8
G	NSP0019	Spring pin	8 mm x 20 mm	ISO 13337		8	8	8	8

Hexagon nut

Position 42

Pos.	Part number	Description	Dimensions	Notes	Qty.	70	105	140	210
42	NMS.003	Hexagon nut	M10			4	-	-	-

Preload

Position 44-48

Pos.	Part number	Description	Dimensions	Notes	Qty.	70	105	140	210
44	NTF.002	Spring washer	71 x 36 x 4	DIN 2093		4	4	4	4
45	PRS.B008.N1	Pressure disk				2	2	2	2
46	DOR.043	O-ring	64 x 4	NBR		2	2	2	2
	DOR.043.EP	O-ring	64 x 4	EPDM					
	DOR.043.VI	O-ring	64 x 4	FPM					
	DOR.043.PT	O-ring	64 x 4	Silicone FEP coated					
47	DOR.021	O-ring	24 x 3	NBR		2	2	2	2
	DOR.021.EP	O-ring	24 x 3	EPDM					
	DOR.021.VI	O-ring	24 x 3	FPM					
	DOR.021.PT	O-ring	24 x 3	Silicone FEP coated					
48	PRS.102	Strain bolt	M16			2	2	2	2

Lifting eye bolt

Position 49

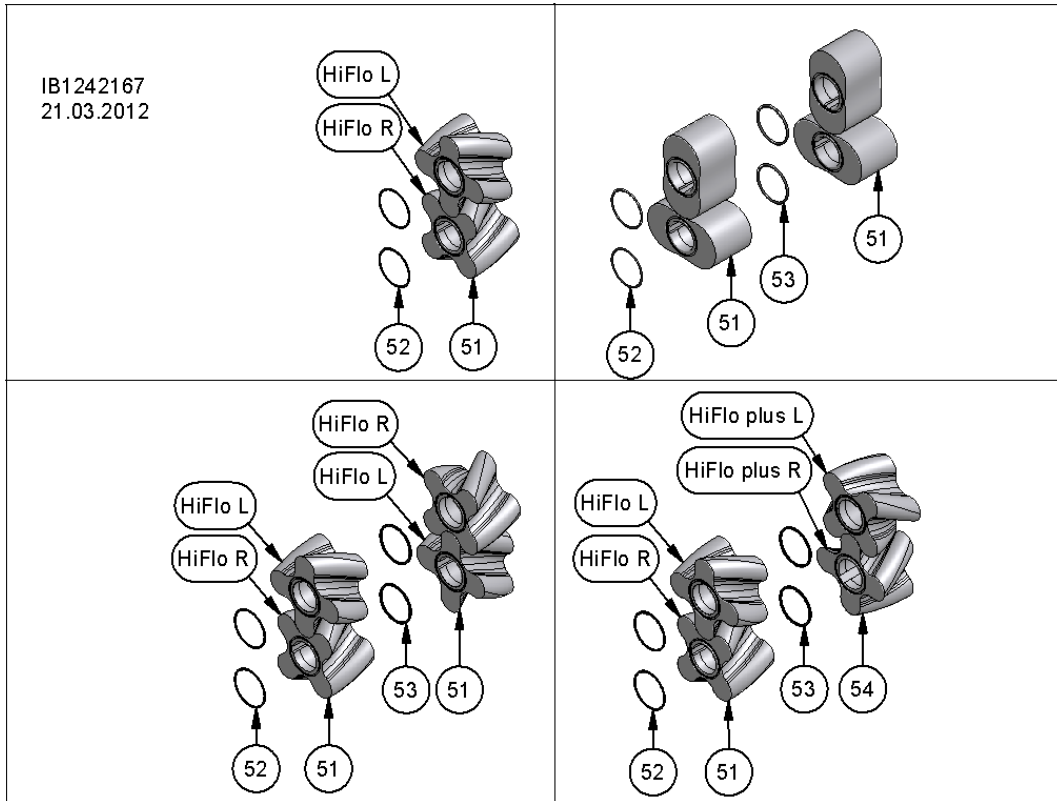
Pos.	Part number	Description	Dimensions	Notes	Qty.	70	105	140	210
49	NKS.006	Lifting eye bolt	M12	DIN 580		1	1	1	1

O-ring

Position 50

Pos.	Part number	Description	Dimensions	Notes	Qty.	70	105	140	210
50	DOR.051	O-ring	280 x 6	NBR					
	DOR.051.EP	O-ring	280 x 6	EPDM					
	DOR.051.VI	O-ring	280 x 6	FPM		1	1	1	1
	DOR.051.PT	O-ring	280 x 6	Silicone FEP coated					

Rotary lobes



HiFlo

Position 51+54

HiFlo SBR

Pos.	Part number	Description	Dimensions	Notes	Qty.	70	105	140	210
51	PKB.B101.TL	Rotary lobe	70-4K45-L	SBR		1	-	-	-
	PKB.B101.TR	Rotary lobe	70-4K45-R	SBR		1	-	-	-
	PKB.B102.TL	Rotary lobe	105-4K45-L	SBR		-	1	-	2 (1)
	PKB.B102.TR	Rotary lobe	105-4K45-R	SBR		-	1	-	2 (1)
	PKB.B103.TL	Rotary lobe	140-4K45-L	SBR		-	-	1	-
	PKB.B103.TR	Rotary lobe	140-4K45-R	SBR		-	-	1	-
54		Rotary lobe	105-4K45-L HiFloplus	SBR		-	-	-	(1)
		Rotary lobe	105-4K45-R HiFloplus	SBR		-	-	-	(1)

() quantity for HiFlo plus

HiFlo NBR

Pos.	Part number	Description	Dimensions	Notes	Qty.	70	105	140	210
51	PKB.B101.TL.NB	Rotary lobe	70-4K45-L	NBR		1	-	-	-
	PKB.B101.TR.NB	Rotary lobe	70-4K45-R	NBR		1	-	-	-
	PKB.B102.TL.NB	Rotary lobe	105-4K45-L	NBR		-	1	-	2 (1)
	PKB.B102.TR.NB	Rotary lobe	105-4K45-R	NBR		-	1	-	2 (1)
	PKB.B103.TL.NB	Rotary lobe	140-4K45-L	NBR		-	-	1	-
	PKB.B103.TR.NB	Rotary lobe	140-4K45-R	NBR		-	-	1	-
51	PKB.B101.TL.NBW	Rotary lobe	70-4K45-L	NBR white		1	-	-	-
	PKB.B101.TR.NBW	Rotary lobe	70-4K45-R	NBR white		1	-	-	-
	PKB.B102.TL.NBW	Rotary lobe	105-4K45-L	NBR white		-	1	-	2 (1)
	PKB.B102.TR.NBW	Rotary lobe	105-4K45-R	NBR white		-	1	-	2 (1)
	PKB.B103.TL.NBW	Rotary lobe	140-4K45-L	NBR white		-	-	1	-
	PKB.B103.TR.NBW	Rotary lobe	140-4K45-R	NBR white		-	-	1	-
54	PKB0011	Rotary lobe	105-4K45-L HiFloplus	NBR		-	-	-	(1)
	PKB0012	Rotary lobe	105-4K45-R HiFloplus	NBR		-	-	-	(1)
		Rotary lobe	105-4K45-L HiFloplus	NBR white		-	-	-	(1)
		Rotary lobe	105-4K45-R HiFloplus	NBR white		-	-	-	(1)

HiFlo EPDM

Pos.	Part number	Description	Dimensions	Notes	Qty.	70	105	140	210
51	PKB.B101.TL.SL	Rotary lobe	70-4K45-L	EPDM-SL		1	-	-	-
	PKB.B101.TR.SL	Rotary lobe	70-4K45-R	EPDM-SL		1	-	-	-
	PKB.B102.TL.SL	Rotary lobe	105-4K45-L	EPDM-SL		-	1	-	2 (1)
	PKB.B102.TR.SL	Rotary lobe	105-4K45-R	EPDM-SL		-	1	-	2 (1)
	PKB.B103.TL.SL	Rotary lobe	140-4K45-L	EPDM-SL		-	-	1	-
	PKB.B103.TR.SL	Rotary lobe	140-4K45-R	EPDM-SL		-	-	1	-
51	PKB.B101.TL.EPW	Rotary lobe	70-4K45-L	EPDM white		1	-	-	-
	PKB.B101.TR.EPW	Rotary lobe	70-4K45-R	EPDM white		1	-	-	-
	PKB.B102.TL.EPW	Rotary lobe	105-4K45-L	EPDM white		-	1	-	2 (1)
	PKB.B102.TR.EPW	Rotary lobe	105-4K45-R	EPDM white		-	1	-	2 (1)
	PKB.B103.TL.EPW	Rotary lobe	140-4K45-L	EPDM white		-	-	1	-
	PKB.B103.TR.EPW	Rotary lobe	140-4K45-R	EPDM white		-	-	1	-
54		Rotary lobe	105-4K45-L HiFloplus	EPDM-SL		-	-	-	(1)
		Rotary lobe	105-4K45-R HiFloplus	EPDM-SL		-	-	-	(1)
		Rotary lobe	105-4K45-L HiFloplus	EPDM white		-	-	-	(1)
		Rotary lobe	105-4K45-R HiFloplus	EPDM white		-	-	-	(1)

HiFlo FPM

Pos.	Part number	Description	Dimensions	Notes	Qty.	70	105	140	210
51	PKB.B101.TL.VI	Rotary lobe	70-4K45-L	FPM ⁽¹⁾		1	-	-	-
	PKB.B101.TR.VI	Rotary lobe	70-4K45-R	FPM ⁽¹⁾		1	-	-	-
	PKB.B102.TL.VI	Rotary lobe	105-4K45-L	FPM ⁽¹⁾		-	1	-	2 (1)
	PKB.B102.TR.VI	Rotary lobe	105-4K45-R	FPM ⁽¹⁾		-	1	-	2 (1)
	PKB.B103.TL.VI	Rotary lobe	140-4K45-L	FPM ⁽¹⁾		-	-	1	-
	PKB.B103.TR.VI	Rotary lobe	140-4K45-R	FPM ⁽¹⁾		-	-	1	-
54		Rotary lobe	105-4K45-L HiFloplus	FPM ⁽¹⁾		-	-	-	(1)
		Rotary lobe	105-4K45-R HiFloplus	FPM ⁽¹⁾		-	-	-	(1)

⁽¹⁾ max. 6 bar [87 psi], please pay attention to the admissible pressure of pump!

() quantity for HiFlo plus

HiFlo WEROBUST

Pos.	Part number	Description	Dimensions	Notes	Qty.	70	105	140	210
51	PKB.B101.TL.PU	Rotary lobe	70-4K45-L	WEROBUST ⁽²⁾		1	-	-	-
	PKB.B101.TR.PU	Rotary lobe	70-4K45-R	WEROBUST ⁽²⁾		1	-	-	-
	PKB.B102.TL.PU	Rotary lobe	105-4K45-L	WEROBUST ⁽²⁾		-	1	-	2 (1)
	PKB.B102.TR.PU	Rotary lobe	105-4K45-R	WEROBUST ⁽²⁾		-	1	-	2 (1)
	PKB.B103.TL.PU	Rotary lobe	140-4K45-L	WEROBUST ⁽²⁾		-	-	1	-
	PKB.B103.TR.PU	Rotary lobe	140-4K45-R	WEROBUST ⁽²⁾		-	-	1	-
54		Rotary lobe	105-4K45-L HiFloplus	WEROBUST ⁽²⁾		-	-	-	(1)
		Rotary lobe	105-4K45-R HiFloplus	WEROBUST ⁽²⁾		-	-	-	(1)

⁽²⁾ Attention! Usable up to 50°C medium temperature, only!

HiFlo CSM Hypalon

Pos.	Part number	Description	Dimensions	Notes	Qty.	70	105	140	210
51	PKB.B101.TL.CSM	Rotary lobe	70-4K45-L	CSM		1	-	-	-
	PKB.B101.TR.CSM	Rotary lobe	70-4K45-R	CSM		1	-	-	-
	PKB.B102.TL.CSM	Rotary lobe	105-4K45-L	CSM		-	1	-	2 (1)
	PKB.B102.TR.CSM	Rotary lobe	105-4K45-R	CSM		-	1	-	2 (1)
54	PBK0039	Rotary lobe	105-4K45-L HiFloplus	CSM		-	-	-	(1)
	PBK0040	Rotary lobe	105-4K45-R HiFloplus	CSM		-	-	-	(1)

() quantity for HiFlo plus

HiFlo PUR

Pos.	Part number	Description	Dimensions	Notes	Qty.	70	105	140	210
51	PKD0099	Rotary lobe	105 3F60L	PUR		-	1	-	2
	PKD0100	Rotary lobe	105 3F60R	PUR		-	1	-	2
	PKD0097	Rotary lobe	140 3F60L	PUR		-	-	1	-
	PKD0098	Rotary lobe	140 3F60R	PUR		-	-	1	-

Rotary lobes; bi-lobe

Position 51

Pos.	Part number	Description	Dimensions	Notes	Qty.	70	105	140	210
51	PKB.B018.Q	Rotary lobe; bi-lobe	70	NBR		2	-	-	-
	PKB.B035.Q	Rotary lobe; bi-lobe	105	NBR		-	2	-	4
	PKB.B028.Q	Rotary lobe; bi-lobe	140	NBR		-	-	2	-
	PKB.B018.QF	Rotary lobe; bi-lobe	70	NBR large rubber lagging		2	-	-	-
	PKB.B035.QF	Rotary lobe; bi-lobe	105	NBR large rubber lagging		-	2	-	4
	PKB.B018.QW	Rotary lobe; bi-lobe	70	NBR white		2	-	-	-
	PKB.B028.QW	Rotary lobe; bi-lobe	140	NBR white		-	-	2	-
	PKB.B016.Q	Rotary lobe; bi-lobe	70	SBR 70		2	-	-	-
	PKB.B033.Q	Rotary lobe; bi-lobe	105	SBR 70		-	2	-	4
	PKB.B026.Q	Rotary lobe; bi-lobe	140	SBR 70		-	-	2	-
	PKB.B021.Q.SL	Rotary lobe; bi-lobe	70	EPDM-SL		2	-	-	-
	PKB.B034.Q.SL	Rotary lobe; bi-lobe	105	EPDM-SL		-	2	-	4
	PKB.B030.Q.SL	Rotary lobe; bi-lobe	140	EPDM-SL		-	-	2	-
	PKB.B022.Q	Rotary lobe; bi-lobe	70	FPM ⁽¹⁾		2	-	-	-
	PKB.B037.Q	Rotary lobe; bi-lobe	105	FPM ⁽¹⁾		-	2	-	4
	PKB.B031.Q	Rotary lobe; bi-lobe	140	FPM ⁽¹⁾		-	-	2	-
	PKB.B023.Q	Rotary lobe; bi-lobe	70	WEROBUST ⁽²⁾		2	-	-	-
	PKB.B036.Q	Rotary lobe; bi-lobe	105	WEROBUST ⁽²⁾		-	2	-	4
PKB.B025.Q	Rotary lobe; bi-lobe	140	WEROBUST ⁽²⁾		-	-	2	-	
51	PKB.B041.N1	Rotary lobe; bi-lobe ⁽³⁾	70	1.0503 nitrided (C45)		2	-	-	-
	PKB.B042.N1	Rotary lobe; bi-lobe ⁽³⁾	105	1.0503 nitrided (C45)		-	2	-	4
	PKB.B043.N1	Rotary lobe; bi-lobe ⁽³⁾	140	1.0503 nitrided (C45)		-	-	2	-
	PKB0036	Rotary lobe; bi-lobe ⁽³⁾	70	1.7131 hardened		2	-	-	-
	PKB0019	Rotary lobe; bi-lobe ⁽³⁾	105	1.7131 hardened		-	2	-	4
		Rotary lobe; bi-lobe ⁽³⁾	140	1.7131 hardened		-	-	2	-
	PKB.B023.Q	Rotary lobe; bi-lobe ⁽³⁾	70	POM		2	-	-	-
	PKB.B036.Q	Rotary lobe; bi-lobe ⁽³⁾	105	POM		-	2	-	4
PKB.B025.Q	Rotary lobe; bi-lobe ⁽³⁾	140	POM		-	-	2	-	

⁽¹⁾ max. 6 bar [87 psi], please pay attention to the admissible pressure of pump!

⁽²⁾ Attention! Usable up to 50°C medium temperature, only!

⁽³⁾ + O-ring for solid material lobe

Solid material lobe

HiFlo

Position 51+54

Pos.	Part number	Description	Dimensions	Notes	Qty.	70	105	140	210
51	PKB.B104.N1.TL	Rotary lobe ⁽³⁾	70-4K45-L HiFlo	1.0503 nitrided (C45)		1	-	-	-
	PKB.B104.N1.TR	Rotary lobe ⁽³⁾	70-4K45-R HiFlo	1.0503 nitrided (C45)		1	-	-	-
	PKB.B105.N1.TL	Rotary lobe ⁽³⁾	105-4K45-L HiFlo	1.0503 nitrided (C45)		-	1	-	2 (1)
	PKB.B105.N1.TR	Rotary lobe ⁽³⁾	105-4K45-R HiFlo	1.0503 nitrided (C45)		-	1	-	2 (1)
	PKB.B106.N1.TL	Rotary lobe ⁽³⁾	140-4K45-L HiFlo	1.0503 nitrided (C45)		-	-	1	-
	PKB.B106.N1.TR	Rotary lobe ⁽³⁾	140-4K45-R HiFlo	1.0503 nitrided (C45)		-	-	1	-
	PKB.B101.TL.POM	Rotary lobe ⁽³⁾	70-4K45-L HiFlo	POM		1	-	-	-
	PKB.B101.TR.POM	Rotary lobe ⁽³⁾	70-4K45-R HiFlo	POM		1	-	-	-
	PKB.B102.TL.POM	Rotary lobe ⁽³⁾	105-4K45-L HiFlo	POM		-	1	-	2 (1)
	PKB.B102.TR.POM	Rotary lobe ⁽³⁾	105-4K45-R HiFlo	POM		-	1	-	2 (1)
51	PKB0020	Rotary lobe ⁽³⁾	105 3K60 LHiFlo	1.7131 hardened		-	1	-	2
	PKB0021	Rotary lobe ⁽³⁾	105 3K60 R HiFlo	1.7131 hardened		-	1	-	2
	PKB0034	Rotary lobe ⁽³⁾	140 3K60 L HiFlo	1.7131 hardened		-	-	1	-
	PKB0035	Rotary lobe ⁽³⁾	140 3K60 R HiFlo	1.7131 hardened		-	-	1	-
54		Rotary lobe ⁽³⁾	105-4K45-L HiFlo <i>plus</i>	1.0503 nitrided (C45)		-	-	-	(1)
		Rotary lobe ⁽³⁾	105-4K45-R HiFlo <i>plus</i>	1.0503 nitrided (C45)		-	-	-	(1)
		Rotary lobe ⁽³⁾	105-4K45-L HiFlo <i>plus</i>	POM		-	-	-	(1)
		Rotary lobe ⁽³⁾	105-4K45-R HiFlo <i>plus</i>	POM		-	-	-	(1)

⁽³⁾ + O-ring for solid material lobe

() quantity for HiFlo *plus*

O-ring for solid material rotary lobes

Position 52-53

Pos.	Part number	Description	Dimensions	Notes	Qty.	70	105	140	210
52	DOR.039	O-ring ⁽⁵⁾	80 x 2,5	NBR		2	2	2	2
	DOR.039.EP	O-ring ⁽⁵⁾	80 x 2,5	EPDM					
	DOR.039.VI	O-ring ⁽⁵⁾	80 x 2,5	FPM					
	DOR.039.PT	O-ring ⁽⁵⁾	80 x 2,5	Silikon FEP coated					
53	DOR.162	O-ring ⁽⁵⁾	80 x 4	NBR		-	-	-	2
	DOR.162.EP	O-ring ⁽⁵⁾	80 x 4	EPDM					
	DOR.162.VI	O-ring ⁽⁵⁾	80 x 4	FPM					
	DOR.162.PT	O-ring ⁽⁵⁾	80 x 4	Silikon FEP coated					

⁽⁵⁾ for solid material lobe

Cover and accessories

Position 55-57

Pos.	Part number	Description	Dimensions	Notes	Qty.	70	105	140	210
55	NIR.019	Inner ring	JR 45 x 50 x 20	For motor shaft		1	1	1	1
	NIR.019	Inner ring	JR 45 x 50 x 20	For PTO shaft		2	2	2	2
56	PGP.B005	Cover				1	1	1	1
57	PFL.B002	Wear plate				1	1	1	1
	PFL.B002.G1	Wear plate		Tungsten carbide coated					

Bolts and accessories

Position 59-73

Pos.	Part number	Description	Dimensions	Notes	Qty.	70	105	140	210
60	DKR.005	Copper ring	C16 x 22 x 2	DIN 7603		8	8	8	8
61	NSK.088	Screw plug	M16 x 1.5	Magnetic		2	2	2	2
62	NSK.081	Screw plug	M16 x 1.5	DIN 910		5	5	5	5
64	NSK.072	Hexagon head bolt	M10 x 65	DIN 931		12	12	12	12
65	NUS.004	Shim	A 10.5 x 20 x 2	DIN 125		44	48	48	48
66	NMK.001	Hexagon nut	M10	DIN 985 self-locking		24	24	24	24
67	PRS.B023	Distance nut	M10			4	4	4	4
68	NSK.204	Hexagon head bolt	M10 x 80	DIN 933		-	4	4	4
	NGS.008	Threaded rod	M10 x 100	DIN 976		4	-	-	-
69	NSP.004	Spring pin	13 x 40	DIN 7346		4	4	4	4
70	NSK.006	Hexagon head bolt	M10 x 55	DIN 933		8	8	8	8
71	NSK.080	Screw plug	M 10 x 1	For motor shaft		4	4	4	4
	NKS.001	Grease nipple	M 10 x 1	For PTO shaft					
72	DKR.001	Copper ring	C 10 x 16 x 1	For motor shaft		4	4	4	4
	BKA.001	Grease nipple cap		For PTO shaft					
73	NSP.013	Spring pin	13 x 24	ISO 13337		4	4	4	4

Buffer chamber enlargement

Position 74

Pos.	Part number	Description	Dimensions	Notes	Qty.	70	105	140	210
74	PSG.014	Buffer fluid tank		Pressurised		1	1	1	1
	PSG.014.T1	Quench fluid tank		Ventilated (Option)					
	PSV.002.N1	Pressure valve		(Option)					

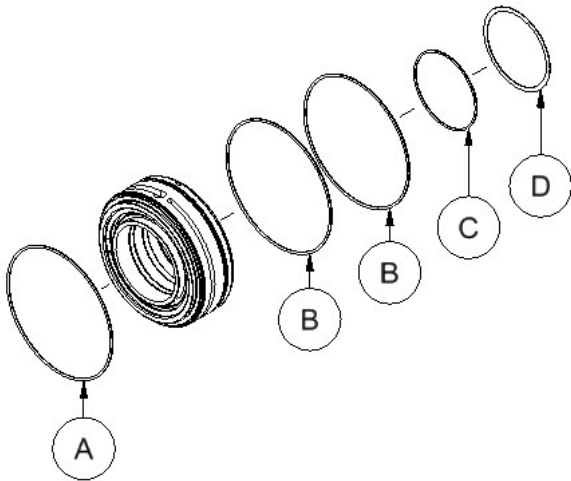
Cartridge mechanical seal

Pos. 79

Pos.	Part number	Description	Dimensions	Notes	Qty.	70	105	140	210
Steel nitrided									
79	PBT.B002	Cartridge mechanical seal HD; single mechanical seal		SiC; HNBR, HNBR		2			
	PBT0449			SiC; HNBR, FPM					
	PBT1824			SiC; FPM, FPM					
	PBT.B004			Duronit ⁽⁴⁾ ; HNBR, HNBR					
	PBT1826			Duronit ⁽⁴⁾ ; FPM, FPM					
	PBT1828			SiC; EPDM, FPM					
	PBT.B010	Cartridge mechanical seal block ring; single mechanical seal		WC/SiC; HNBR, HNBR					
	PBT0809			WC/SiC, HNBR, HNBR					
	PBT0488			WC/SiC; HNBR, FPM					
	PBT0192			WC/SiC; FPM, FPM					
	PBT1744			WC/SiC; FEPM, FPM					
	PBT.B012			WC/coal; HNBR, NBR					
	PBT1731			WC/coal; FPM, FPM					
	PBT1733			WC/coal; EPDM, FPM					
	PBT.B019			CrO/Duronit ⁽⁴⁾ ; HNBR, HNBR					
	PBT0629			CrO/Duronit ⁽⁴⁾ ; HNBR, FPM					
	PBT1735			WC/SiC, EPDM, FPM					
	PBT1746			WC/SiC, FFPM, FPM					
	PBT1251			CrO/Duronit ⁽⁴⁾ ; HNBR, HNBR					
	PBT0342			CrO/Duronit ⁽⁴⁾ ; FPM, FPM					
PBT1749		CrO/Duronit ⁽⁴⁾ ; EPDM, FPM							
PBT1745		CrO/Duronit ⁽⁴⁾ ; FEPM, FPM							

⁽⁴⁾ up to 10 bar [145 psi] real operating pressure

"Loose parts" for Cartridge mechanical seal



Quantity per cartridge

Pos.	Part number	Description	Dimensions	Notes	Qty.
A	DOR.085	O-ring	104 x 3	NBR	1
	DOR.085.VI	O-ring	104 x 3	FPM	
B	DOR.085	O-ring	104 x 3	NBR	2
	DOR.085.EP	O-ring	104 x 3	EPDM	
	DOR.085.VI	O-ring	104 x 3	FPM	
	DOR.085.PT	O-ring	104 x 3	Silicone FEP coated	
C	DOR.041	O-ring	60 x 2	NBR	1
	DOR.041.VI	O-ring	60 x 2	FPM	
D	NUS.029	Shim			1

These positions are contained in the Cartridge mechanical seal as "loose parts".

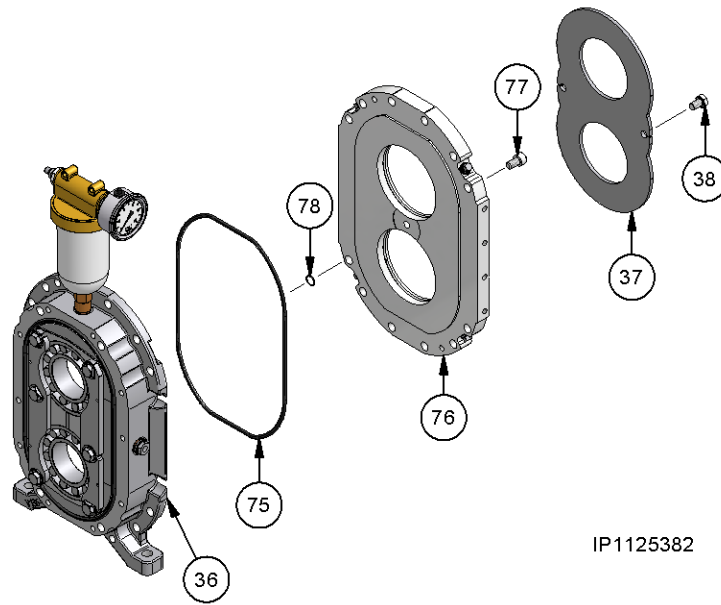
For option component mechanical seal, see pos. 200-213

Accessories

Position 83

Pos.	Part number	Description	Dimensions	Notes	Qty.	70	105	140	210
83	NST.017	Plastic plug for strain screw				2	2	2	2

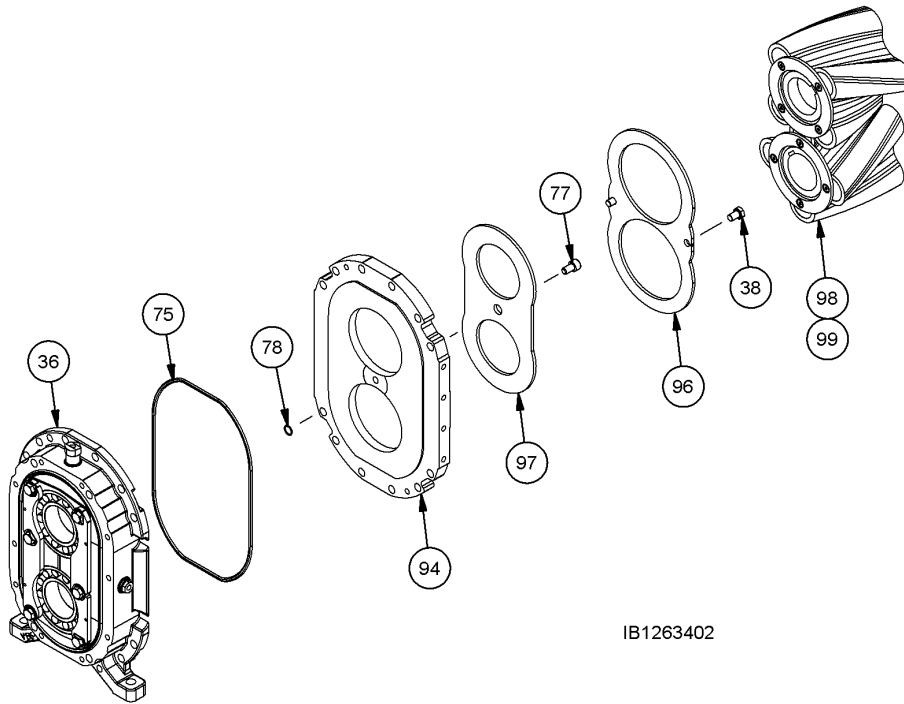
Option: Intermediate flange
Position 75-78



IP1125382

Pos.	Part number	Description	Dimensions	Notes	Qty.	70	105	140	210
75	DOR0049	O-ring	282 x 4	NBR					
	DOR0050	O-ring	282 x 4	FPM				1	
76	PGP.B112.N1	Intermediate flange						1	
77	NSI.096.EE	Cylinder head bolt	M 10 x 18					1	
78	DOR.040	O-ring	12 x 2	NBR					
	DOR.040.EP	O-ring	12 x 2	EPDM					
	DOR.040.VI	O-ring	12 x 2	FPM					
	DOR.040.PT	O-ring	12 x 2	Silicone FEP coated					

Option: Radial labyrinth
Position 94-99



IB1263402

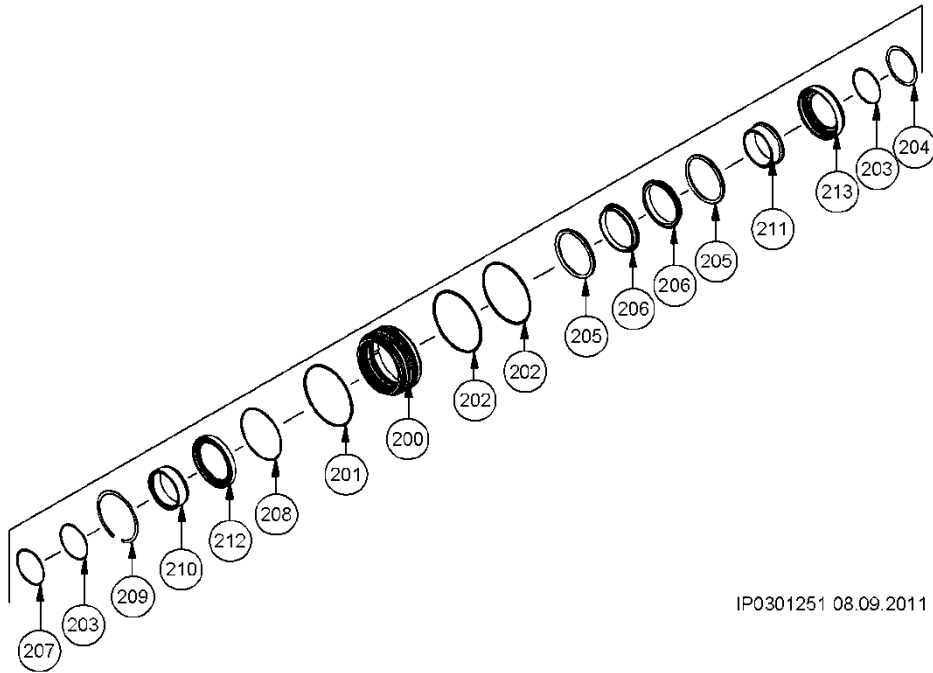
Pos.	Part number	Description	Dimensions	Notes	Qty.	70	105	140	210
37		Wear plate		Replaced by Pos. 96					-
51-54		Rotary lobe		Replaced by Pos. 98-99					-
75	DOR0049	O-ring	282 x 4	NBR					1
	DOR0050	O-ring	282 x 4	FPM					
77	NSI.096.EE	Cylinder head bolt	M 10 x 18						1
78	DOR.040	O-ring	12 x 2	NBR					1
	DOR.040.EP	O-ring	12 x 2	EPDM					
	DOR.040.VI	O-ring	12 x 2	FPM					
	DOR.040.PT	O-ring	12 x 2	Silicone FEP coated					
94	PGP0296	Housing							1
96	PFL0144	Wear plate		Instead of Pos. 37					1
97	PFL0143	Wear plate							1

Continuation see next page

Pos.	Part number	Description	Dimensions	Notes	Qty.	70	105	140	210
HiFlo									
98	PKD0427	Rotary lobe	105; 4K45L	NBR		-	1	-	-
	PKD0428	Rotary lobe	105; 4K45L	NBR		-	1	-	-
	PKD0240	Rotary lobe	140; 4K45L	NBR		-	-	1	-
	PKD0241	Rotary lobe	140; 4K45L	NBR		-	-	1	-
98	PKD0220	Rotary lobe	140; 3K60L	PUR		-	-	1	-
	PKD0221	Rotary lobe	140; 3K60R	PUR		-	-	1	-
Solid material lobe									
98	PKD0215	Rotary lobe ⁽³⁾	105; 3K60L	1.0503 nitriert		-	1	-	-
	PKD0216	Rotary lobe ⁽³⁾	105; 3K60R	1.0503 nitriert		-	1	-	-
	PKD0217	Rotary lobe ⁽³⁾	140; 3K60L	1.0503 nitriert		-	-	1	-
	PKD0218	Rotary lobe ⁽³⁾	140; 3K60R	1.0503 nitriert		-	-	1	-
Rotary lobe; bi-lobe									
98	PKD0453	Rotary lobe	140; 2K	NBR		-	-	2	-
	PKD0416	Rotary lobe	105; 2K	NBR		-	-	-	2
	PKB.B035.Q	Rotary lobe	105; 2K	NBR		-	-	-	2
98	PKD0219	Rotary lobe ⁽³⁾	140; 2K	1.0503 nitriert		-	-	2	-
O-ring for solid material rotary lobes									
99	DOR.039	O-ring ⁽⁵⁾	80 x 2,5	NBR		2	2	2	2
	DOR.039.EP	O-ring ⁽⁵⁾	80 x 2,5	EPDM					
	DOR.039.VI	O-ring ⁽⁵⁾	80 x 2,5	FPM					
	DOR.039.PT	O-ring ⁽⁵⁾	80 x 2,5	Silicone FEP coated					

⁽³⁾ + O-ring for solid material lobe
⁽⁵⁾ for solid material lobe

Option: Component mechanical seal
Pos. 200-213



IP0301251 08.09.2011

Pos.	Part number	Description	Dimensions	Notes	Qty.	70	105	140	210
200	PRS.B105.N2.T1	Seal carrier				2	2	2	2
201	DOR.085	O-ring	104 x 3	NBR		2	2	2	2
202	DOR.085	O-ring	104 x 3	NBR		4	4	4	4
	DOR.085.EP	O-ring	104 x 3	EPDM					
	DOR.085.VI	O-ring	104 x 3	FPM					
	DOR.085.PT	O-ring	104 x 3	Silicone FEP coated					
203	DOR.041	O-ring	60 x 2	NBR		4	4	4	4
204	NUS.029	Shim				2	2	2	2
205	DOR.034	O-ring	72.5 x 6.5	NBR		4	4	4	4
	DOR.034.EP	O-ring	72.5 x 6.5	EPDM					
	DOR.034.VI	O-ring	72.5 x 6.5	FPM					
	DOR.034.SI	O-ring	72.5 x 6.5	Silicone check resistance!					
206	DGL.B012	Mechanical seal ring		Duronit ⁽⁴⁾		4	4	4	4
	DGL.B012.SC	Mechanical seal ring		SiSiC (silicone carbide)					
207	DOR.005	O-ring	56 x 2	NBR		2	2	2	2
208	DOR.135	O-ring	90 x 2	NBR		2	2	2	2
209	NSR.032	Circlip				2	2	2	2
210	PRS.B103.T1	Rotating ring		For radial shaft seal ring		2	2	2	2
211	PRS.B104	Distance ring				2	2	2	2
212	DWD.065	Mecanisal seal ring	70 x 90 x 10			2	2	2	2
213	PRS.B101.N2.T2	Adjusting ring				2	2	2	2

⁽⁴⁾ up to 10 bar [145 psi] real operating pressure

Operating material

Pos.	Part number	Description	Dimensions	Notes	Qty.	70	105	140	210
	DDM.004	Curil sealing material		For asbestos-free gasket			x		
	BKL.013	WEICONLOCK asbestos-free gasket	AN305-74	For bearing housing				x	
	BSS.008	Grease	Renolit CP	For bearing				x	
	BSS.006	Mineral oil		Titan Gear MP 90				x	

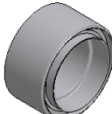
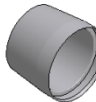
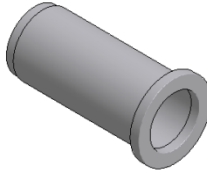
Tools

Pos.	Part number	Description	Dimensions	Notes	Qty.	70	105	140	210
	PBA.B001.TK	Rotary lobe puller	70/105			x	x		
	PBA.B001.TL	Rotary lobe puller	140/210					x	x

Cartridge mechanical seal:

	WKZ0172	Tool set		Cartridge mechanical seal				x	
	WKZ0456	Disassembly tool Cartridge mechanical seal		Included in WKZ0172					
	PBA.B020.N1	Assembly tool		Included in WKZ0456				(1)	
	NSI.155	Cylinder head bolt	M 5 x 12					(2)	
	NSK.155	Hexagon head bolt	M 8 x 80					(3)	

Component mechanical seal:

	PBA.B006.N1	Assembly tool		Mechanical seal ring (DGL.B012 pos. 206)					
	PBA.B007.N1	Assembly tool		Shaft (for DWD.065 pos. 212)					
	PBA.B011	Assembly tool		Radial shaft seal ring (for DWD.065 pos. 212)					
	PBA.B033.T1	Multi-purpose tool	→ 70Q-210Q	Cartridge mechanical seal - rotary lobe		x	x	x	x
	WKZ0105	Service tool box	VX136Q						

Material for connectors

Pos.	Part number	Description	Dimensions	Notes	Qty.	70	105	140	210
	NSK.027	Hexagon head bolt	M10 x 25	DIN 933		20	24	24	28
	NUS.004	Washer	A10.5 x 20 x 2	DIN 125		20	24	24	28
	PFL.010	Flange	70			2	-	-	-
	PFL.057	Flange	105			-	2	-	-
	PFL.005	Flange	140			-	-	2	
	PFL.006	Flange	210			-	-	-	2
	DFD.011.P	Flange gasket	70			2	-	-	-
	DFD.033.P	Flange gasket	105			-	2	-	-
	DFD.005.P	Flange gasket	140			-	-	2	-
	DFD.006.P	Flange gasket	210			-	-	-	2

Required spare parts for rotary lobe change

Pos.	Part number	Description	Dimensions	Notes	Qty.	70	105	140	210
34	NPF.010	Fitting key	B 14 x 9 x 28			2	-	-	-
	NPF.011	Fitting key	B 14 x 9 x 56			-	2	-	2
	NPF.012	Fitting key	B 14 x 9 x 110			-	-	-	2
	NPF.013	Fitting key	B 14 x 9 x 100			-	-	2	-
46	DOR.043	O-ring	64 x 4	NBR		2	2	2	2
	DOR.043.EP	O-ring	64 x 4	EPDM					
	DOR.043.VI	O-ring	64 x 4	FPM					
	DOR.043.PT	O-ring	64 x 4	Silicone FEP coated					
47	DOR.021	O-ring	24 x 3	NBR		2	2	2	2
	DOR.021.EP	O-ring	24 x 3	EPDM					
	DOR.021.VI	O-ring	24 x 3	FPM					
	DOR.021.PT	O-ring	24 x 3	Silicone FEP coated					
48	PRS.102	Strain bolt	M16			2	2	2	2
50	DOR.051	O-ring	280 x 6	NBR		1	1	1	1
	DOR.051.EP	O-ring	280 x 6	EPDM					
	DOR.051.VI	O-ring	280 x 6	FPM					
	DOR.051.PT	O-ring	280 x 6	Silicone FEP coated					
51-54		Rotary lobe		See page 10 and follow					
52	DOR.039	O-ring ⁽⁵⁾	80 x 2,5	NBR		2	2	2	2
	DOR.039.EP	O-ring ⁽⁵⁾	80 x 2,5	EPDM					
	DOR.039.VI	O-ring ⁽⁵⁾	80 x 2,5	FPM					
	DOR.039.PT	O-ring ⁽⁵⁾	80 x 2,5	Silikon FEP coated					
53	DOR.162	O-ring ⁽⁵⁾	80 x 4	NBR		-	-	-	2
	DOR.162.EP	O-ring ⁽⁵⁾	80 x 4	EPDM					
	DOR.162.VI	O-ring ⁽⁵⁾	80 x 4	FPM					
	DOR.162.PT	O-ring ⁽⁵⁾	80 x 4	Silikon FEP coated					
83	NST.017	Plastic plug for strain screw				2	2	2	2

⁽⁵⁾ for solid material lobe

Necessary spare parts for Cartridge mechanical seal change

Pos.	Part number	Description	Dimensions	Notes	Qty.	70	105	140	210
46	DOR.043	O-ring	64 x 4	NBR		2	2	2	2
	DOR.043.EP	O-ring	64 x 4	EPDM					
	DOR.043.VI	O-ring	64 x 4	FPM					
	DOR.043.PT	O-ring	64 x 4	Silicone FEP coated					
47	DOR.021	O-ring	24 x 3	NBR		2	2	2	2
	DOR.021.EP	O-ring	24 x 3	EPDM					
	DOR.021.VI	O-ring	24 x 3	FPM					
	DOR.021.PT	O-ring	24 x 3	Silicone FEP coated					
48	PRS.102	Strain bolt	M16			2	2	2	2
50	DOR.051	O-ring	280 x 6	NBR		1	1	1	1
	DOR.051.EP	O-ring	280 x 6	EPDM					
	DOR.051.VI	O-ring	280 x 6	FPM					
	DOR.051.PT	O-ring	280 x 6	Silicone FEP coated					

Steel nitrided

79	PBT.B002	Cartridge mechanical seal HD; single mechanical seal		SiC; HNBR, HNBR		2			
	PBT0449			SiC; HNBR, FPM					
	PBT1824			SiC; FPM, FPM					
	PBT.B004			Duronit ⁽⁴⁾ ; HNBR, HNBR					
	PBT1826			Duronit ⁽⁴⁾ ; FPM, FPM					
	PBT1828			SiC; EPDM, FPM					
	PBT.B010	Cartridge mechanical seal block ring; single mechanical seal		WC/SiC; HNBR, HNBR					
	PBT0809			WC/SiC, HNBR, HNBR					
	PBT0488			WC/SiC; HNBR, FPM					
	PBT0192			WC/SiC; FPM, FPM					
	PBT1744			WC/SiC; FEPM, FPM					
	PBT.B012			WC/coal; HNBR, NBR					
	PBT1731			WC/coal; FPM, FPM					
	PBT1733			WC/coal; EPDM, FPM					
	PBT.B019			CrO/Duronit ⁽⁴⁾ ; HNBR, HNBR					
	PBT0629			CrO/Duronit ⁽⁴⁾ ; HNBR, FPM					
	PBT1735			WC/SiC, EPDM, FPM					
	PBT1746			WC/SiC, FFPM, FPM					
	PBT1251			CrO/Duronit ⁽⁴⁾ ; HNBR, HNBR					
	PBT0342			CrO/Duronit ⁽⁴⁾ ; FPM, FPM					
PBT1749		CrO/Duronit ⁽⁴⁾ ; EPDM, FPM							
PBT1745		CrO/Duronit ⁽⁴⁾ ; FEPM, FPM							
83	NST.017	Plastic plug for strain screw				2	2	2	2

⁽⁴⁾ up to 10 bar [145 psi] real operating pressure

Necessary spare parts for wear part replacement with Cartridge mechanical seal

Pos.	Part number	Description	Dimensions	Notes	Qty.	70	105	140	210
34	NPF.010	Fitting key	B 14 x 9 x 28			2	-	-	-
	NPF.011	Fitting key	B 14 x 9 x 56			-	2	-	2
	NPF.012	Fitting key	B 14 x 9 x 110			-	-	-	2
	NPF.013	Fitting key	B 14 x 9 x 100			-	-	2	-
37	PFL.B009	Wear plate				1	1	1	1
	PFL.B009.G1	Wear plate		Tungsten carbide coated					
38	NSK.025.EE	Hexagon head bolt	M10 x 16	DIN 933		4	4	4	4
40	DAD.007	Gasket		Asbestos-free		4	4	4	4
46	DOR.043	O-ring	64 x 4	NBR		2	2	2	2
	DOR.043.EP	O-ring	64 x 4	EPDM					
	DOR.043.VI	O-ring	64 x 4	FPM					
	DOR.043.PT	O-ring	64 x 4	Silicone FEP coated					
47	DOR.021	O-ring	24 x 3	NBR		2	2	2	2
	DOR.021.EP	O-ring	24 x 3	EPDM					
	DOR.021.VI	O-ring	24 x 3	FPM					
	DOR.021.PT	O-ring	24 x 3	Silicone FEP coated					
48	PRS.102	Strain bolt	M16			2	2	2	2
50	DOR.051	O-ring	280 x 6	NBR		1	1	1	1
	DOR.051.EP	O-ring	280 x 6	EPDM					
	DOR.051.VI	O-ring	280 x 6	FPM					
	DOR.051.PT	O-ring	280 x 6	Silicone FEP coated					
51-54		Rotary lobe		See page 10 and follow					
52	DOR.039	O-ring ⁽⁵⁾	80 x 2,5	NBR		2	2	2	2
	DOR.039.EP	O-ring ⁽⁵⁾	80 x 2,5	EPDM					
	DOR.039.VI	O-ring ⁽⁵⁾	80 x 2,5	FPM					
	DOR.039.PT	O-ring ⁽⁵⁾	80 x 2,5	Silikon FEP coated					
53	DOR.162	O-ring ⁽⁵⁾	80 x 4	NBR		-	-	-	2
	DOR.162.EP	O-ring ⁽⁵⁾	80 x 4	EPDM					
	DOR.162.VI	O-ring ⁽⁵⁾	80 x 4	FPM					
	DOR.162.PT	O-ring ⁽⁵⁾	80 x 4	Silikon FEP coated					
57	PFL.B002	Wear plate				1	1	1	1
	PFL.B002.G1	Wear plate		Tungsten carbide coated					
83	NST.017	Plastic plug for strain screw				2	2	2	2

⁽⁵⁾ for solid material lobe

Continuation see next page

Pos.	Part number	Description	Dimensions	Notes	Qty.	70	105	140	210
Steel nitrided									
79	PBT.B002	Cartridge mechanical seal HD; single mechanical seal		SiC; HNBR, HNBR		2			
	PBT0449			SiC; HNBR, FPM					
	PBT1824			SiC; FPM, FPM					
	PBT.B004			Duronit ⁽⁴⁾ ; HNBR, HNBR					
	PBT1826			Duronit ⁽⁴⁾ , FPM, FPM					
	PBT1828			SiC; EPDM, FPM					
	PBT.B010	Cartridge mechanical seal block ring; single mechanical seal		WC/SiC; HNBR, HNBR					
	PBT0809			WC/SiC, HNBR, HNBR					
	PBT0488			WC/SiC; HNBR, FPM					
	PBT0192			WC/SiC; FPM, FPM					
	PBT1744			WC/SiC; FEPM, FPM					
	PBT.B012			WC/coal; HNBR, NBR					
	PBT1731			WC/coal; FPM, FPM					
	PBT1733			WC/coal; EPDM, FPM					
	PBT.B019			CrO/Duronit ⁽⁴⁾ ; HNBR, HNBR					
	PBT0629			CrO/Duronit ⁽⁴⁾ ; HNBR, FPM					
	PBT1735			WC/SiC, EPDM, FPM					
	PBT1746			WC/SiC, FFPM, FPM					
	PBT1251			CrO/Duronit ⁽⁴⁾ ; HNBR, HNBR					
	PBT0342			CrO/Duronit ⁽⁴⁾ ; FPM, FPM					
PBT1749		CrO/Duronit ⁽⁴⁾ ; EPDM, FPM							
PBT1745		CrO/Duronit ⁽⁴⁾ ; FEPM, FPM							

Option, radial labyrinth:

96	PFL0144	Wear plate		Instead of Pos. 37				1	
97	PFL0143	Wear plate						1	

HiFlo

98	PKD0427	Rotary lobe	105; 4K45L	NBR		-	1	-	-
	PKD0428	Rotary lobe	105; 4K45L	NBR		-	1	-	-
	PKD0240	Rotary lobe	140; 4K45L	NBR		-	-	1	-
	PKD0241	Rotary lobe	140; 4K45L	NBR		-	-	1	-
98	PKD0220	Rotary lobe	140; 3K60L	PUR		-	-	1	-
	PKD0221	Rotary lobe	140; 3K60R	PUR		-	-	1	-

Solid material lobe

98	PKD0215	Rotary lobe ⁽³⁾	105; 3K60L	1.0503 nitriert		-	1	-	-
	PKD0216	Rotary lobe ⁽³⁾	105; 3K60R	1.0503 nitriert		-	1	-	-
	PKD0217	Rotary lobe ⁽³⁾	140; 3K60L	1.0503 nitriert		-	-	1	-
	PKD0218	Rotary lobe ⁽³⁾	140; 3K60R	1.0503 nitriert		-	-	1	-

Rotary lobe; bi-lobe

98	PKD0453	Rotary lobe	140; 2K	NBR		-	-	2	-
	PKD0416	Rotary lobe	105; 2K	NBR		-	-	-	2
	PKB.B035.Q	Rotary lobe	105; 2K	NBR		-	-	-	2
98	PKD0219	Rotary lobe ⁽³⁾	140; 2K	1.0503 nitriert		-	-	2	-
99	DOR.039	O-ring ⁽⁵⁾	80 x 2,5	NBR		2	2	2	2
	DOR.039.EP	O-ring ⁽⁵⁾	80 x 2,5	EPDM					
	DOR.039.VI	O-ring ⁽⁵⁾	80 x 2,5	FPM					
	DOR.039.PT	O-ring ⁽⁵⁾	80 x 2,5	Silicone FEP coated					

Pos. 37 + 51-54 are replaced by Pos. 96 + 98-99

⁽³⁾ + O-ring for solid material lobe

⁽⁵⁾ for solid material lobe

⁽⁴⁾ up to 10 bar [145 psi] real operating pressure

Necessary spare parts for component mechanical seal change

Pos.	Part number	Description	Dimensions	Notes	Qty.	70	105	140	210
46	DOR.043	O-ring	64 x 4	NBR		2	2	2	2
	DOR.043.EP	O-ring	64 x 4	EPDM					
	DOR.043.VI	O-ring	64 x 4	FPM					
	DOR.043.PT	O-ring	64 x 4	Silicone FEP coated					
47	DOR.021	O-ring	24 x 3	NBR		2	2	2	2
	DOR.021.EP	O-ring	24 x 3	EPDM					
	DOR.021.VI	O-ring	24 x 3	FPM					
	DOR.021.PT	O-ring	24 x 3	Silicone FEP coated					
48	PRS.102	Strain bolt	M16			2	2	2	2
50	DOR.051	O-ring	280 x 6	NBR		1	1	1	1
	DOR.051.EP	O-ring	280 x 6	EPDM					
	DOR.051.VI	O-ring	280 x 6	FPM					
	DOR.051.PT	O-ring	280 x 6	Silicone FEP coated					
83	NST.017	Plastic plug for strain screw				2	2	2	2
201	DOR.085	O-ring	104 x 3	NBR		2	2	2	2
202	DOR.085	O-ring	104 x 3	NBR		4	4	4	4
	DOR.085.EP	O-ring	104 x 3	EPDM					
	DOR.085.VI	O-ring	104 x 3	FPM					
	DOR.085.PT	O-ring	104 x 3	Silicone FEP coated					
203	DOR.041	O-ring	60 x 2	NBR		4	4	4	4
204	NUS.029	Shim				2	2	2	2
205	DOR.034	O-ring	72.5 x 6.5	NBR		4	4	4	4
	DOR.034.EP	O-ring	72.5 x 6.5	EPDM					
	DOR.034.VI	O-ring	72.5 x 6.5	FPM					
	DOR.034.SI	O-ring	72.5 x 6.5	Silicone check resistance!					
206	DGL.B012	Mechanical seal ring		Duronit ⁽⁴⁾		4	4	4	4
	DGL.B012.SC	Mechanical seal ring		SiSiC (silicone carbide)					
207	DOR.005	O-ring	56 x 2	NBR		2	2	2	2
208	DOR.135	O-ring	90 x 2	NBR		2	2	2	2

⁽⁴⁾ up to 10 bar [145 psi] real operating pressure

Necessary spare parts for wear part replacement with component mechanical seal

Pos.	Part number	Description	Dimensions	Notes	Qty.	70	105	140	210
34	NPF.010	Fitting key	B 14 x 9 x 28			2	-	-	-
	NPF.011	Fitting key	B 14 x 9 x 56			-	2	-	2
	NPF.012	Fitting key	B 14 x 9 x 110			-	-	-	2
	NPF.013	Fitting key	B 14 x 9 x 100			-	-	2	-
37	PFL.B009	Wear plate				1	1	1	1
	PFL.B009.G1	Wear plate		Tungsten carbide coated					
38	NSK.025.EE	Hexagon head bolt	M10 x 16	DIN 933		4	4	4	4
40	DAD.007	Gasket		Asbestos-free		4	4	4	4
46	DOR.043	O-ring	64 x 4	NBR		2	2	2	2
	DOR.043.EP	O-ring	64 x 4	EPDM					
	DOR.043.VI	O-ring	64 x 4	FPM					
	DOR.043.PT	O-ring	64 x 4	Silicone FEP coated					
47	DOR.021	O-ring	24 x 3	NBR		2	2	2	2
	DOR.021.EP	O-ring	24 x 3	EPDM					
	DOR.021.VI	O-ring	24 x 3	FPM					
	DOR.021.PT	O-ring	24 x 3	Silicone FEP coated					
48	PRS.102	Strain bolt	M16			2	2	2	2
50	DOR.051	O-ring	280 x 6	NBR		1	1	1	1
	DOR.051.EP	O-ring	280 x 6	EPDM					
	DOR.051.VI	O-ring	280 x 6	FPM					
	DOR.051.PT	O-ring	280 x 6	Silicone FEP coated					
51-54		Rotary lobe		See page 10 and follow					
52	DOR.039	O-ring ⁽⁵⁾	80 x 2,5	NBR		2	2	2	2
	DOR.039.EP	O-ring ⁽⁵⁾	80 x 2,5	EPDM					
	DOR.039.VI	O-ring ⁽⁵⁾	80 x 2,5	FPM					
	DOR.039.PT	O-ring ⁽⁵⁾	80 x 2,5	Silikon FEP coated					
53	DOR.162	O-ring ⁽⁵⁾	80 x 4	NBR		-	-	-	2
	DOR.162.EP	O-ring ⁽⁵⁾	80 x 4	EPDM					
	DOR.162.VI	O-ring ⁽⁵⁾	80 x 4	FPM					
	DOR.162.PT	O-ring ⁽⁵⁾	80 x 4	Silikon FEP coated					
57	PFL.B002	Wear plate				1	1	1	1
	PFL.B002.G1	Wear plate		Tungsten carbide coated					
83	NST.017	Plastic plug for strain screw				2	2	2	2
201	DOR.085	O-ring	104 x 3	NBR		2	2	2	2
202	DOR.085	O-ring	104 x 3	NBR		4	4	4	4
	DOR.085.EP	O-ring	104 x 3	EPDM					
	DOR.085.VI	O-ring	104 x 3	FPM					
	DOR.085.PT	O-ring	104 x 3	Silicone FEP coated					
203	DOR.041	O-ring	60 x 2	NBR		4	4	4	4
204	NUS.029	Shim				2	2	2	2

⁽⁵⁾ for solid material lobe

⁽⁴⁾ up to 10 bar [145 psi] real operating pressure

Continuation see next page

Pos.	Part number	Description	Dimensions	Notes	Qty.	70	105	140	210
205	DOR.034	O-ring	72.5 x 6.5	NBR		4	4	4	4
	DOR.034.EP	O-ring	72.5 x 6.5	EPDM					
	DOR.034.VI	O-ring	72.5 x 6.5	FPM					
	DOR.034.SI	O-ring	72.5 x 6.5	Silicone check resistance!					
206	DGL.B012	Mechanical seal ring		Duronit ⁽⁴⁾		4	4	4	4
	DGL.B012.SC	Mechanical seal ring		SiSiC (silicone carbide)					
207	DOR.005	O-ring	56 x 2	NBR		2	2	2	2
208	DOR.135	O-ring	90 x 2	NBR		2	2	2	2

Option, radial labyrinth:

Pos.	Part number	Description	Dimensions	Notes	Qty.	70	105	140	210
96	PFL0144	Wear plate		Instead of Pos. 37				1	
97	PFL0143	Wear plate						1	

HiFlo

98	PKD0427	Rotary lobe	105; 4K45L	NBR		-	1	-	-
	PKD0428	Rotary lobe	105; 4K45L	NBR		-	1	-	-
	PKD0240	Rotary lobe	140; 4K45L	NBR		-	-	1	-
	PKD0241	Rotary lobe	140; 4K45L	NBR		-	-	1	-
98	PKD0220	Rotary lobe	140; 3K60L	PUR		-	-	1	-
	PKD0221	Rotary lobe	140; 3K60R	PUR		-	-	1	-

Solid material lobe

98	PKD0215	Rotary lobe ⁽³⁾	105; 3K60L	1.0503 nitriert		-	1	-	-
	PKD0216	Rotary lobe ⁽³⁾	105; 3K60R	1.0503 nitriert		-	1	-	-
	PKD0217	Rotary lobe ⁽³⁾	140; 3K60L	1.0503 nitriert		-	-	1	-
	PKD0218	Rotary lobe ⁽³⁾	140; 3K60R	1.0503 nitriert		-	-	1	-

Rotary lobe; bi-lobe

98	PKD0453	Rotary lobe	140; 2K	NBR		-	-	2	-
	PKD0416	Rotary lobe	105; 2K	NBR		-	-	-	2
	PKB.B035.Q	Rotary lobe	105; 2K	NBR		-	-	-	2
98	PKD0219	Rotary lobe ⁽³⁾	140; 2K	1.0503 nitriert		-	-	2	-
99	DOR.039	O-ring ⁽⁵⁾	80 x 2,5	NBR		2	2	2	2
	DOR.039.EP	O-ring ⁽⁵⁾	80 x 2,5	EPDM					
	DOR.039.VI	O-ring ⁽⁵⁾	80 x 2,5	FPM					
	DOR.039.PT	O-ring ⁽⁵⁾	80 x 2,5	Silicone FEP coated					

Pos. 37 + 51-54 are replaced by Pos. 96 + 98-99

⁽³⁾ + O-ring for solid material lobe

⁽⁵⁾ for solid material lobe

VOGELSANG



Vogelsang GmbH & Co. KG

Holthöge 10-14
49632 Essen/Oldb.

Phone: +49 (0) 54 34 83 0
Fax: +49 (0) 54 34 83 10

www.vogelsang.info
info@vogelsang.info

ENGINEERED TO WORK

Australien
Vogelsang Pty. Ltd.
vogelsang.com.au

Brasilien
Vogelsang Brasil Ltda.
vogelsang.com.br

China
Vogelsang Mechanical Engineering (Shanghai) Co., Ltd.
vogelsang.com.cn

Dänemark
Vogelsang A/S
vogelsang-as.dk

Deutschland - Niederlassung Ost
Vogelsang Lutherstadt Eisleben
vogelsang.info

Finnland
Vogelsang Oy
vogelsang.fi

Frankreich
Vogelsang France S.A.R.L.
vogelsang.fr

Großbritannien
Vogelsang Ltd.
vogelsang.co.uk

Indien
Vogelsang India Private Limited
vogelsangindia.com

Irland
Vogelsang Ireland
vogelsang.ie

Italien
Vogelsang Italy Srl
vogelsang-srl.it

Malaysia
Vogelsang Malaysia
vogelsang.info

Mexico
Vogelsang De México S.de R.L. de CV
vogelsang.mx

Niederlande
Bos Benelux BV
b.bos@bosbenelux.com

Österreich
Vogelsang Austria GmbH
vogelsang-austria.at

Polen
Vogelsang Poland Sp. z o.o.
vogelsang.pl

Rumänien
Vogelsang Romania SRL
vogelsang.ro

Russland
OOO Vogelsang Russland
vogelsang.ru

Slowenien
VGS TECH GREGOR TURSIC S.P.
vogelsang.info

Schweden
Vogelsang Sverige AB
vogelsang.se

Spanien
Vogelsang S.L.
vogelsang.es

Südkorea
Vogelsang Korea Co., Ltd.
vogelsang.co.kr

Tschechische Republik
Vogelsang CZ s.r.o.
vogelsang-czech.cz

USA
Vogelsang USA Ltd.
vogelsangusa.com