



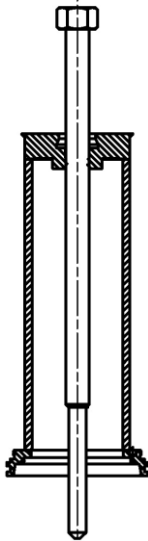
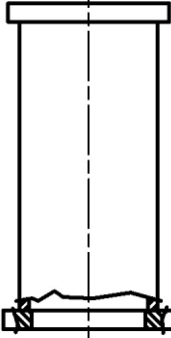
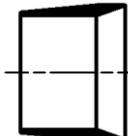


Technical information TINF.PU.004.EN

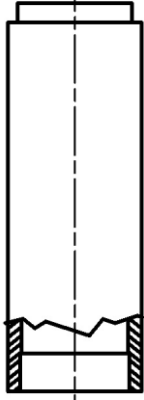
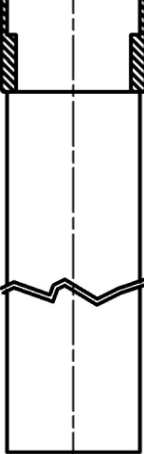
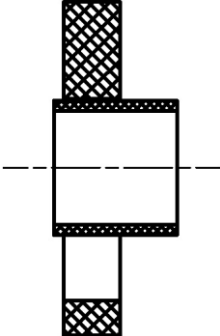
Rotary lobe pump

Tool list for pump series VX136

Tool name	Art - No.	Figure
Lobe puller		
VX136-70/105Q	PBA.B001.TK	
VX136-140/210Q	PBA.B001.TL	
VX136-(bis 280) QD / QD M2	PBA.B001.T1	
VX136-140/210 Q M2		
VX136-(bis 420) / QD / QD M2	PBA.B001.T2	
Assembly tool for mechanical seal carrier (PRS.B105.N2.T1)	PBA.B010	
Assembly tool for mechanical seal (DGL.B012)	PBA.B006.N1	



Tool name	Art - No.	Figure
Disassembly tool for mechanical seal carrier (PRS.B105.N2T1)	PBA.B015	
Assembly tool lip seal (DWD.065)	PBA.B011	
Assembly tool shaft (DWD.065)	PBA.B007.N1	
Assembly tool inner ring (NIR.019)	PBA.B014	
(Dis-)Assembly tool for Cartridge (PRS.B105.N2.T1)	PBA.B020.N1	

Tool name	Art - No.	Figure
Assembly tool for floating bearing (NLG.029)	PBA.B012	 A technical drawing of a cylindrical assembly tool. It features a central vertical dashed line representing the axis of symmetry. The tool has a slightly wider top section and a narrower bottom section. At the bottom, there is a cross-hatched area representing a bearing or a similar component being assembled.
Puller for lip seal race (PRS.B103.T1)	PBA.B017	 A technical drawing of a cylindrical puller tool. It has a central vertical dashed line. The tool consists of a long central shaft with a wider, flanged top section. A cross-hatched area is shown at the top of the shaft, indicating the lip seal race being pulled.
Housing gauge	PKL.002	 A technical drawing of a housing gauge. It features a central horizontal dashed line. The gauge has a central rectangular body with a cross-hatched top section and a narrower, cross-hatched bottom section. The cross-hatching indicates the gauge's internal structure or measurement points.