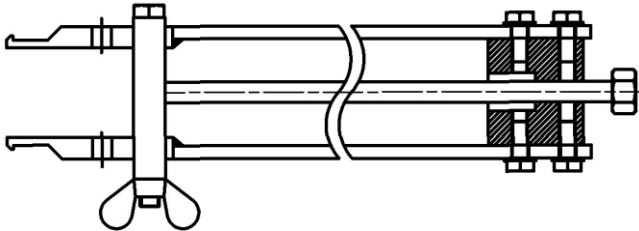
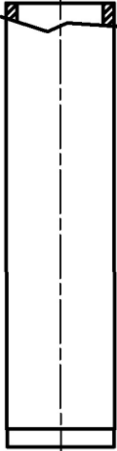
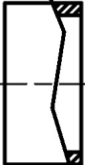
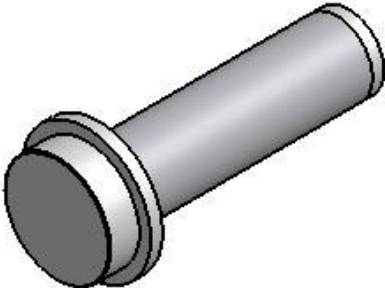
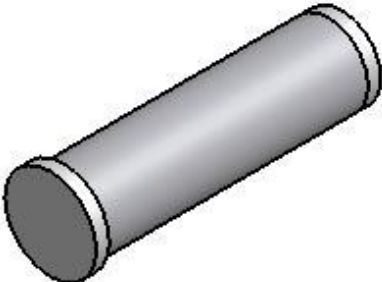


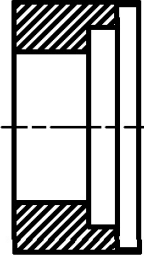
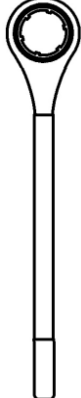
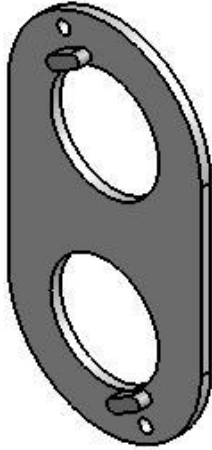

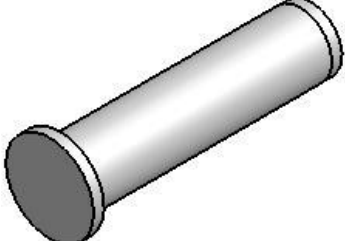


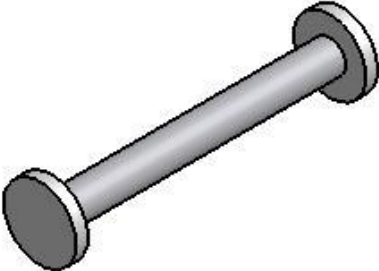
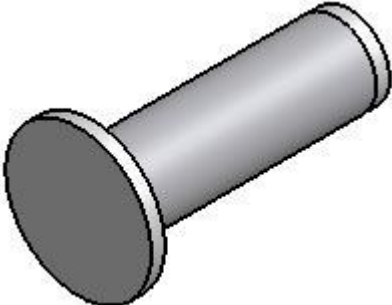
Technical information TINF.PU.006.EN Rotary lobe pump

Tool list for R-pumps

Tool name	Art - No.	Figure
Lobe puller		
RP140/210/280	PBA.600.TK	
RP350/420	PBA.600.TL	
Assembly tool for lobes R116	PBA.009	
Assembly tool for inner ring in front - R116	PBA.010	
Assembly tool for sealing ring in bearing cover - R136	PBA.012	
Assembly tool for lip seal - R136	PBA.014	



Tool name	Art - No.	Figure
Assembly tool for mechanical seal R136	PBA.006	
Grooved nut wrench		
R116	PMS.004	
R136	PMS.005	
Holding plate for bearing (for assembling pump)		
R116	PBA.015	
R136	PBA.016	
Special tool for tighten shaft nut - R116	PBA.017	
Assembly tool for bearing and lip seal - R116	PBA.008	

Tool name	Art - No.	Figure
Assembly tool for lip seal R116	PBA.007	
Assembly tool for bearing cover - R136	PBA.011	

#B#